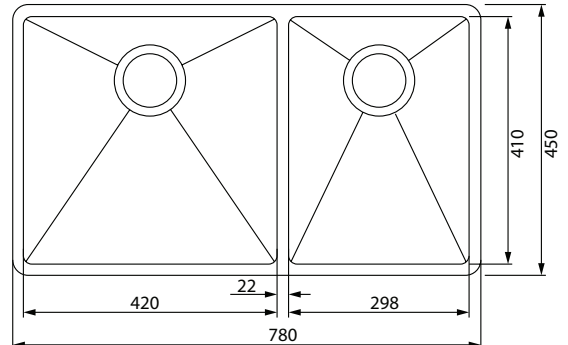


BOLERO

BOX 220-42/29SBR



PRODUCT INFORMATION

Installation	Topmount/Flushmount/Undermount
Dimensions	780 x 450mm
Cabinet Base	800mm
Bowl Size	420 x 410 x 200mm/34L 298 x 410 x 200mm/24L
Bowl Radius	12mm
Cut-Out Size	Template
Cut-Out Template	Yes
Waste Outlet	Semi Integrated Waste
Overflow	Yes
Tap Holes	No
Remote Waste	No
Finish	Stainless Steel
Warranty	50 Years

NOTE: Cut-out dimensions are a guide only, please use the actual sink as your template.

FEATURES & BENEFITS



Food Preparation Centre



18/10 Stainless Steel



Sound Deadening Pads



Fast Fix Installation



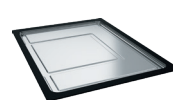
Hidden Overflow

ALL-IN ACCESSORIES (AVAILABLE)

PACK 1					
	Telescopic Bridge	Chopping Board	Small Strainer Bowl	Small Storage Box	Bamboo Lid
PACK 2	All Accessories Included In Pack 1				
			Silicon Drainer Mat		
PACK 3	All Accessories Included In Pack 2				
			Large Strainer Bowl	Storage Container	

ADDITIONAL ACCESSORIES

— Included Accessory
- - - Available Accessory



DT360
Extension Drainer



RM44
Rollamat



CB931
Chopping Board

BARE SINK OPTION AND SOME SINK & TAP PACKAGES DO NOT INCLUDE ACCESSORIES. PLEASE CHAT TO YOUR SALES CONSULTANT FOR FURTHER INFORMATION.

LAST UPDATED: 15 AUGUST 2023

FRANKE